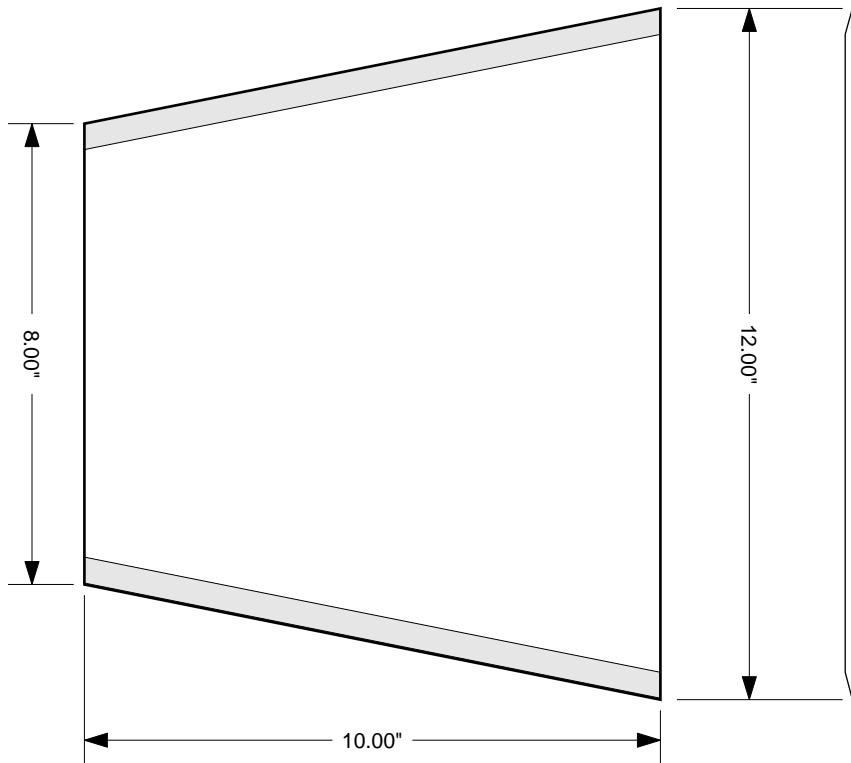
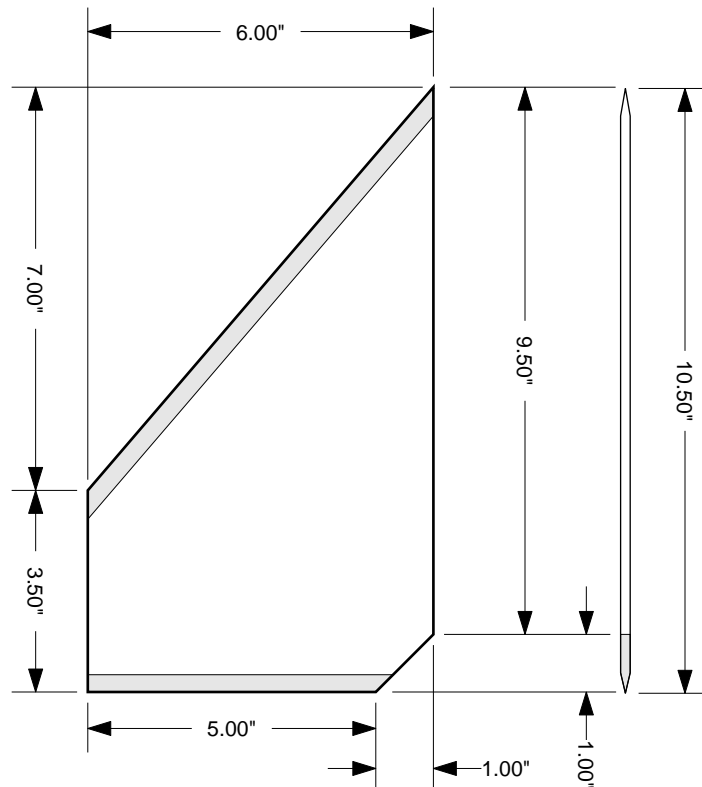


## Booster fins (3)



Fins cut from 0.25" carbon plate with 10° bevel

## Sustainer fins (3)



Fins cut from 0.091" carbon plate with 10° bevel